



LitePack Energy Efficient Floodlights

TT5-FLP

1-Lamp 26, 32 & 42W
Floodlight Fixtures



FEATURES & BENEFITS

- **The TT5-FLP** is a high-performance, compact fluorescent wall pack utilizing 26, 32 or 42-Watt amalgam lamps.
- **The TT5-FLP** wall pack is used for parking areas, perimeter lighting, entrances, walkways, landscape, signage and more.
- **The TT5-FLP** replaces 35-Watt to 100-Watt fixtures and is available in 2700K, 3500K and 4100K lamps.
- **The TT5-FLP** is an energy-efficient floodlight designed to save on energy costs.

SPECIFICATIONS

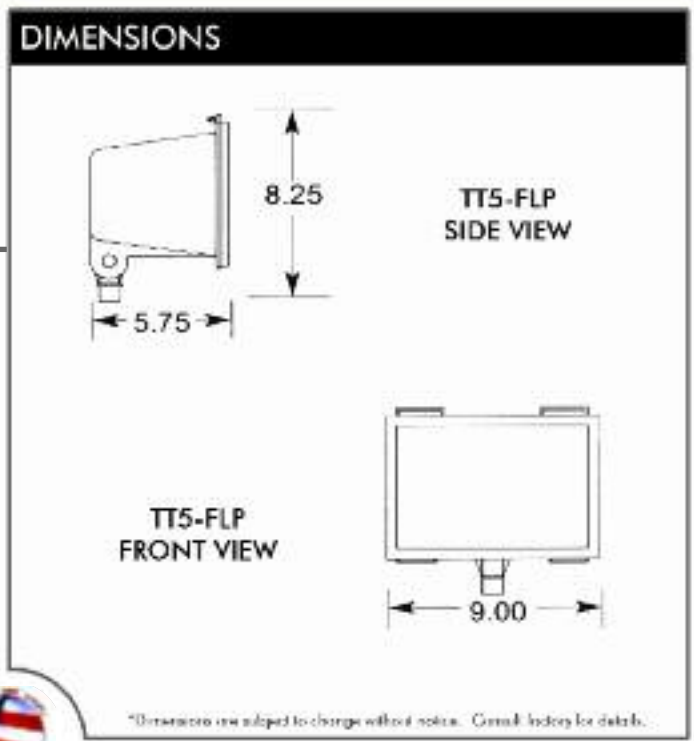
The TT5-FLP has a one-piece heavy duty, die-cast aluminum body with a silicone gasket weather seal. The TT5-FLP has 1/2" tapped hole for an optional photocell and a heavy-duty swivel that provides for directional flexibility. The unit has a high-impact, tempered glass lens with a molded polycarbonate frame hinging for lock-up without screws.

The TT5-FLP also has a one-piece, semi-specular anodized aluminum reflector.

The design of the TT5-FLP enables simple installation and adjustment.



THE TT5-FLP FLOODLIGHT



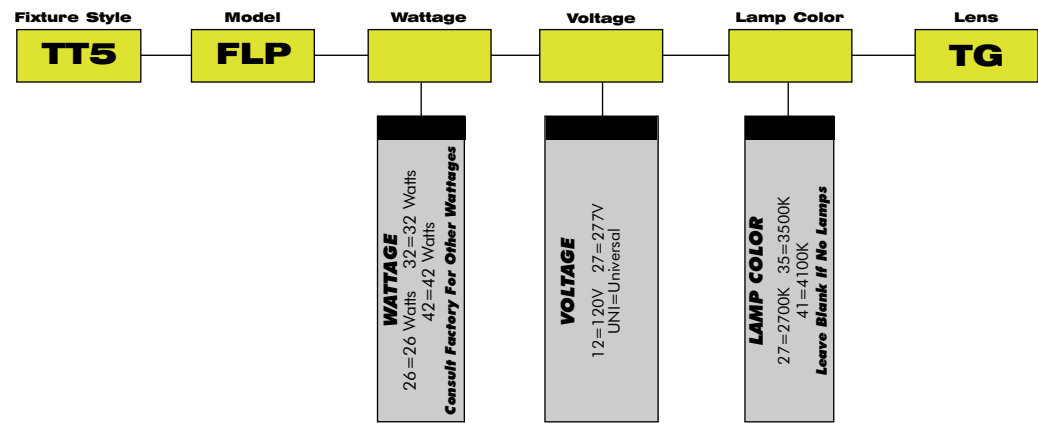
ADVANCED ENERGY IDEAS, INC.

TT5-FLP

ORDERING GUIDE



BRINGING YOU OUT OF THE DARK AGES!



AEI LIGHTING INC.
 1113 West Birchwood Avenue
 Mesa, AZ 85210
 TEL 480.733.6594
 FAX 480.733.6596
 WEB www.aeilighting.com

Project Name _____ Fixture Type _____

Catalog # _____ Quantity _____