

# ColdMax

Lighting For Cold Environments  
Rated down to -20F

# T8FR 432 632

4- & 6-Lamp T8 Vapor Tight  
for Cold & Damp Projects



## FEATURES & BENEFITS

- **Patented Push-Button Access** - AEI leads the industry with access to all internal components without the use of tools. Lamp tray swings out of the way without removing lamps for access to the ballast compartment.
- **Over 50% Energy Savings Compared to HID** - New T8 Lamp/Electronic Ballast combinations save more than 50% over older HID and T12 Fluorescent lighting systems.
- **Longer Lamp Life For T8!** T8 lamps are rated for up to 36,000 hours, nearly twice that of typical fluorescent and HID lamps when used with programmed start ballasts.
- **95% Lumen Maintenance For T8** - HID light levels drop as much as 60% as the lamps age. New T8 light levels maintain up to 95% over the life of the lamp.
- **Instant On...Instant Restrike...No Flicker!** T8 ballast technology eliminates flicker and provides instant on & instant restrike while maintaining light levels during power dips & peaks.
- **Sealed & Gasketed** for cold and damp environments.
- **Color Quality and Consistency** - T8 lamps are 70CRI or greater, providing excellent color quality over the life of the lamp, enhancing visual comfort.
- **Factory Installed Occupancy Sensors** - Auto on/off functions are available for energy savings and extended life using Programmed-Start Ballast technology and integral sensor design.

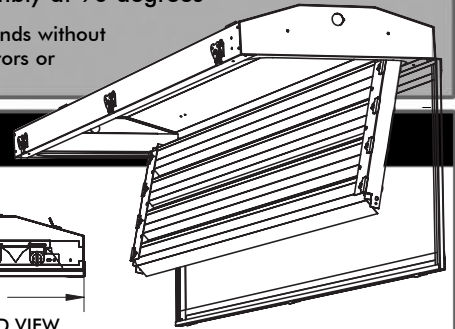
## Featuring "Pat'd Push Button Access"



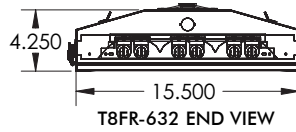
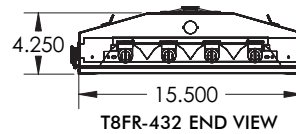
- EASY ACCESS**  
No Tools Needed
- REDUCED LABOR**  
Replace In Minutes
- SAVES MONEY**  
Exclusive Features

- STEP 1** - Lift, twist and release latches
- STEP 2** - Place your thumbs on the buttons
- STEP 3** - Press thumbs on buttons releasing center assembly
- STEP 4** - Rest assembly at 90 degrees

Wireway access in seconds without removing lamps, reflectors or use of any tools!



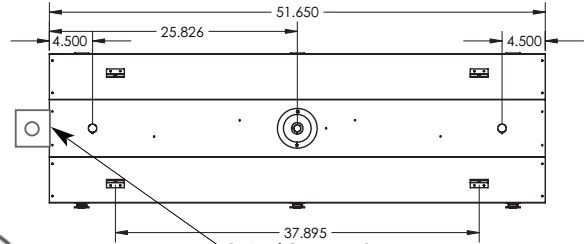
## DIMENSIONS



	Length	Width	Height
<b>T8FR-432</b>	51.65"	15.50"	4.25"
<b>T8FR-632</b>	51.65"	15.50"	4.25"

\*Dimensions will vary depending on the options chosen. For specifications on fixtures with sensors, please consult the AEI factory.

## INSTALLATION DIAGRAM



\*Dimensions are subject to change without notice. Consult factory for details.

## SPECIFICATIONS

**CONSTRUCTION:** Aluminum Housing is standard. Housing design keeps ballast cool in a range of operating temperatures. Rubber gasket provides full seal for fixture.

**REFLECTOR DESIGN:** Specular Miro4® reflectors standard. White reflectors are optional. Consult AEI for other reflector options.

**ELECTRICAL:** Wired per specified voltage using electronic ballast rated for -29 to 90C. 120 or 277V, 75°C instant start ballasts standard. Universal voltage or 347, 480V and 90°C ballasts as well as other options are available upon request. Emergency ballasts available.

**MOUNTING:** Surface, Chain or Pendant mounting options available. See our Labor Saving Installation Guide for mounting designs.

**LISTING:** UL Listed for Damp Locations.

## ORDERING GUIDE



## BRINGING YOU OUT OF THE DARK AGES!

Fixture Model	# Of Lamps Wattage	Lens	Voltage	Lamp Color	Options	Mounting
<b>T8FR</b>						

**CONSULT**  
AEILighting.com  
for  
Photometric  
Information  
On This  
Fixture

<p><b># OF LAMPS</b> 4 = 4-Lamp 6 = 6 Lamps</p> <p><b>WATTAGE</b> 32 = 32W 4-foot Nominal Length Consult Factory When Application Requires Other Wattages</p>	<p>CL=Clear Acrylic PR=Prismatic PC=Polycarbonate VR=Vandal Resistant Leave Blank if No Lens Required</p> <p><b>VOLTAGE</b> 12=120V 27=277V 34=347V 48=480V UNI=120-277V 90C=120-277V 90°C</p> <p><b>BALLAST FACTOR</b> ISL=Instant Start Low Ballast Factor ISN=Instant Start Normal Ballast Factor ISH=Instant Start High Ballast Factor PS=Programmed Start / Rapid Start PSH=Programmed Start/ Rapid Start HB Factor PS Series ballast recommended with occupancy sensors.</p> <p>30=3000K 35=3500K 41=4100K 50=5000K 65=6500K Leave Blank if No Lamps. 800 Series Standard. Add 7' in front of color for 700 Series applications</p>	<p><b>SENSORS</b> OCL=360 Degree Low Temp. Sensor Low temperature sensors are standard. Styles of occupancy sensors vary and consulting factory before ordering is recommended.</p> <p><b>CORDS / PLUGS</b> XC=Length + Cord Only XCAP=Length/Cord + Style/Plug Consult Factory For More Options</p> <p><b>HOUSING/REFLECTORS</b> WH=White Reflector</p> <p><b>OTHER</b> CTD=Cooled Lamps, TG=Tube Guards CST=Custom Consult Factory For Custom Applications &amp; Custom Ordering Number</p>	<p>VH=V-Hook HK=3/4" Hook GPLX=Grippler + Style (L-5,7Y) Consult Options Guidelines For Grippler Details HUB=3/4" Hub X*ST=Length + Galvanized Stem SB=3/4" Slide Box Assembly Hub and Stem Optional SP=3/4" Single Point Bracket Hub and Stem Optional</p>
---	---	---	---

**AEI LIGHTING INC.**  
1113 West Birchwood Avenue  
Mesa, AZ 85210  
TEL 480.733.6594  
FAX 480.733.6596  
WEB www.aeilighting.com

Project Name \_\_\_\_\_ Fixture Type \_\_\_\_\_

Catalog # \_\_\_\_\_ Quantity \_\_\_\_\_

ADVANCED ENERGY IDEAS, INC.

T8FR 432 632