

T5CLS-654 854

T5HO Classic Steel High-Bay & Low-Bay Industrial Fixtures



AEI Energy Saving High-Performance
Fluorescent Lighting Systems
Classic Series

FEATURES & BENEFITS

- **Tool-Free Maintenance** - AEI leads the industry with access to all internal components without the use of tools.
- **Over 50% Energy Savings Compared to HID** - T5HO lamps and ballasts save more than 50% over older HID and T12 Fluorescent lighting systems.
- **Longer Lamp Life For T5HO!** T5HO lamps are rated for up to 35,000 hours, nearly twice that of typical fluorescent and HID lamps.
- **95% Lumen Maintenance For T5HO** - HID light levels drop as much as 60% as the lamps age. T5HO light levels maintain 95% over the life of the lamp.
- **Instant On...Instant Restrike...No Flicker!** T5HO ballast technology eliminates flicker and provides instant on and instant restrike while maintaining light levels.
- **Cool Operation** - Ventilated housing construction provides optimal ballast performance and long life.
- **Color Quality and Consistency** - T5HO lamps are 80CRI or greater, providing excellent color quality over the life of the lamp, thus enhancing visual comfort.
- **Factory Installed Occupancy Sensors** - Auto on/off functions are available for energy savings and extended life using integral sensor design.

Featuring "Tool-Free Access"



STEP 1
Step 1.
Remove two
center lamps

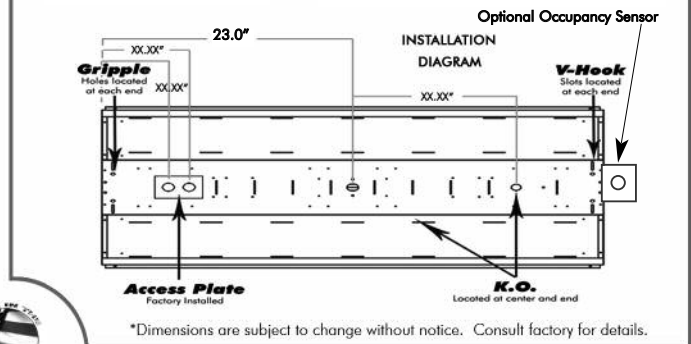
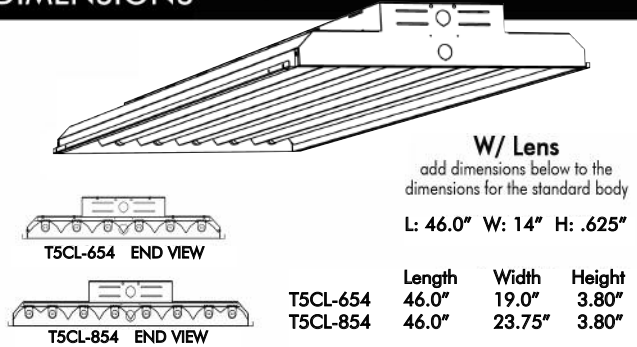


STEP 2
Step 2.
With hands at
each end pinch



FINISHED
Step 3.
Pull cover up &
expose wireway

DIMENSIONS



SPECIFICATIONS

CONSTRUCTION: Code-Gauge Post-Powdercoat CRS Housing is standard. Housing is vented to keep ballast cool in a wide range of operating temperatures.

REFLECTOR DESIGN: Specular Miro4® reflectors standard. White reflectors are optional. Consult AEI for other reflector options.

ELECTRICAL: 120 or 277V, 75°C programmed start ballasts are standard. Universal voltage or 347, 480V and 90°C ballasts as well as other options are available upon request. Emergency ballasts available.

MOUNTING: Surface, Chain or Pendant mounting options available. See our Labor Saving Installation Guide for industry exclusive mounting designs.

LISTING: UL Listed for Damp Locations.

ORDERING GUIDE



BRINGING YOU OUT OF THE DARK AGES!

Fixture Model	# Of Lamps Wattage	Lens	Voltage Ballast Factor	Lamp Color	Fixture Options	Mounting
T5CLS						

CONSULT
AEILighting.com
for
Photometric
Information
On This
Fixture

<p># OF LAMPS 6=6 Lamps 8=8 Lamps</p> <p>WATTAGE 54=54W 4-foot Nominal Length <i>Consult Factory When Application Requires Other T5 Wattages</i></p>	<p>LENS CL=Clear Acrylic PR=Prismatic PC=Polycarbonate VR=Vandal Resistant <i>Leave Blank If No Lens</i></p>	<p>VOLTAGE 12=120V 27=277V 34=347V 48=480V UNI=120-277V 90C=120/277V 90°C</p> <p>30=3000K 35=3500K 41=4100K 50=5000K 65=6500K <i>Leave Blank If No Lamps</i></p>	<p>SENSORS OCI=Active Sensor, OC3=360 Degree Sensor OCL1=360 Degree Low Temp Sensor <i>Consult Factory For More Sensor Options.</i></p> <p>CORDS / PLUGS X'C=Length + Cord Only X'CP=Length/Cord + Style/Plug <i>Consult Factory For More Options</i></p> <p>BALLASTS EMXXXX=Emergency Ballast/Lumens DIM=Dimming Ballast <i>Consult Factory For Detailed Ballast Options</i></p> <p>HOUSING/REFLECTORS UL=Uplight WH=White Reflector LB=Low-Bay</p> <p>OTHER CTD=Cooled Lamps TG=Tube Guards CST=Custom <i>Consult Factory For Custom Applications & Custom Ordering Number</i></p>	<p>VH=V-Hook HK=3/4" Hook GPI=X=Grippler + Style (L,S,T,X) <i>Consult Options Guidelines For Grippler Details</i> HUB=3/4" Hub X'ST=Length + Galvanized Stem SB=3/4" Slide Box Assembly <i>Hub and Stem Optional</i> SP=3/4" Single Point Bracket <i>Hub and Stem Optional</i></p>
--	---	---	---	--

AEI LIGHTING INC.
1113 West Birchwood Avenue
Mesa, AZ 85210
TEL 480.733.6594
FAX 480.733.6596
WEB www.aeilighting.com

Project Name _____ Fixture Type _____

Catalog # _____ Quantity _____

ADVANCED ENERGY IDEAS, INC.

T5CLS-654 854