



# SITEMAX™

## T5 SITE & STREET LIGHTING FIXTURE



### SITEMAX Features & Specifications

#### FEATURES:

- Wattage: (2L)=110W; (3L)=175W; (4L)=220W (5L)=270W; 6L=345W
- Lamp Life Rating: 35,000 hours. Over 3X that of 250W MH & 2X that of most horizontal 400W MH lamps
- CCT: 5K Standard; Lamps ship installed with -30, 35, 41 and 65K colors available
- CRI: 80+
- Applications: Municipal Roadways, Parking Lots, Bridgeways, Industrial Commercial Exteriors/Parks, Retail Frontage and Education Campuses

#### PHYSICAL SPECIFICATIONS:

- All Aluminum For Heat Management
- Flat Lens And Recessed Lamps For Full Cut Off Dark Sky Applications
- Instant Restrike With Emergency Or Restored Power
- Longer Lamp Life Than HID
- Lamps Maintain 95% Initial Light Levels Over Life With Uniform Distribution
- Use Controls To Reduce Or Turn Off At Specific Times

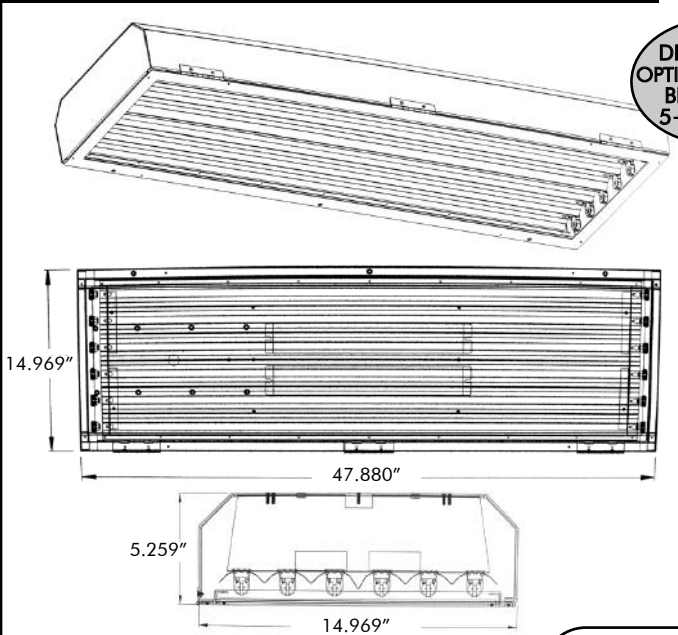
#### SITEMAX OPTIONS:

- Also Available In Induction, CMH and CFL & For Wide Variety Of Site Lighting Requirements
- Add New Poles Or Convert Existing
- Recessed, Surface Canopy, Wall Mount and Box Style Housing Options Available
- Consult AEI Factory Regarding Other Styles Of Energy Saving Site Fixtures Now Available From AEI

#### LUMINAIRE EPA Chart

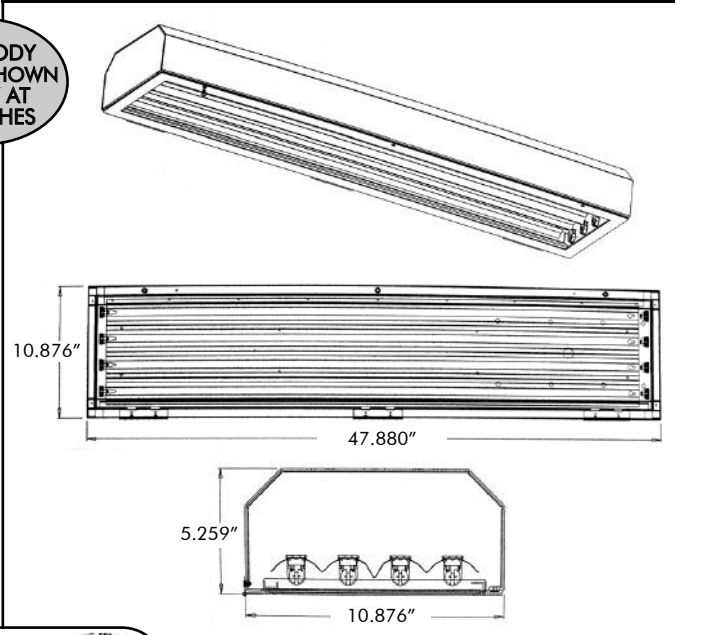
	Single	2.7	<small>Shown with optional adjustable slip filter</small> 
	D180°	5.3	
	D90°	5.3	
	T90°	8.0	
	TN120°	9.2	
	Q90°	10.7	

#### SITEMAX 6-Lamp Fixture Dimensions



DEEP BODY OPTION SHOWN BELOW AT 5+ INCHES

#### SITEMAX 4-Lamp Fixture Dimensions



AEI LIGHTING INC. SITEMAX T5 SITE & STREET LIGHTING FIXTURE

# SITEMAX™

## T5 SITE & STREET LIGHTING FIXTURE

### SITEMAX NightShot Illumination

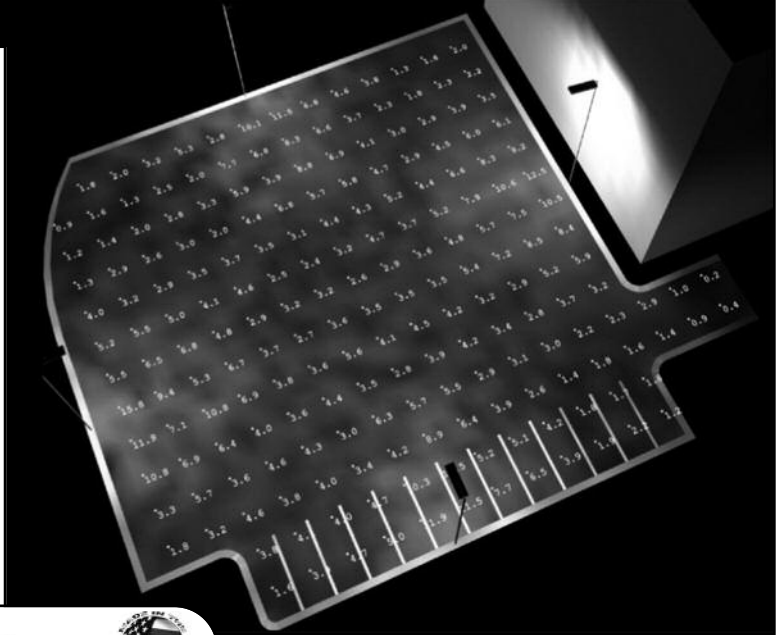



### SITEMAX Body/Lamp Options

**Consult For Mounting Options, Poles Brackets Etc**

- Model Body Lamp Qty**
- T5XC- AL (S/D) 254**
- T5XC- AL (S/D) 354**
- T5XC- AL (S/D) 454**
- T5XC- AL (S/D) 554**
- T5XC- AL (S/D) 654**

*(S/D = Shallow or Deep Body)*



Symbol	Label	Qty	Catalog Number
	A	4	T5XC-AL-654-UI



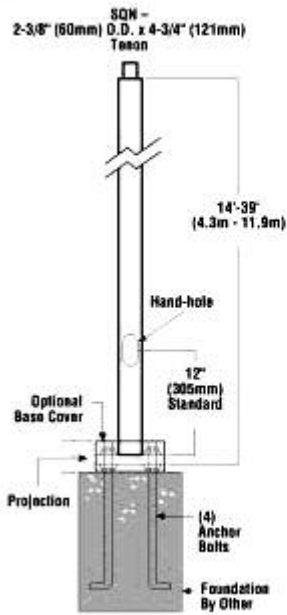
AEI LIGHTING INC. SITEMAX T5 SITE & STREET LIGHTING FIXTURE

# SITEMAX™

## T5 SITE & STREET LIGHTING FIXTURE

### SITEMAX Pole & Drilling Dimensions

**DIMENSIONS**



SQBO - Bolt-On Mount 2-Bolt Pattern



SQP - Square Pole Top



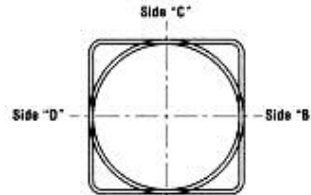
SQI - No Mounting Holes



SF - Single Flood Pole Preparation



**DRILLING LOCATIONS**



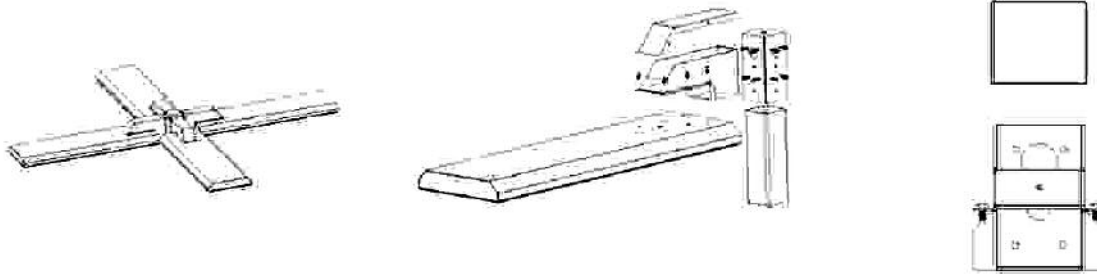
Sides	A	B	C	D
Hand-hole	X			
Single	X			
Ø180"		X		X
Ø90"	X			X
Ø90"	X	X		X
Ø120"	X			
Ø90"	X	X	X	X
Single FBO	X			
Double FBO		X		X

\*Other two locations will be 120° to the left and right of Side A.  
 Note: Consult factory for custom variations. Standard SF and DF pole preparations are located 3/4 of the height of the pole from the base, unless otherwise specified.

**SHIPPING WEIGHTS - Steel Square Poles**

4" (102mm) sq. 11 Ga. is approximately	7.50 lbs./ft.
4" (102mm) sq. 9a. is approximately	10.00 lbs./ft.
5" (127mm) sq. 9a. is approximately	9.00 lbs./ft.
5" (127mm) sq. 8a. is approximately	12.50 lbs./ft.
6" (152mm) sq. 8a. is approximately	15.40 lbs./ft.
Anchor Bolts (3/4" x 30") (19mm x 762mm)	15 lbs. (7kg)/set
Anchor Bolts (1" x 36") (25mm x 914mm)	30 lbs. (14kg)/set

### SITEMAX Fixture Dimensions - Assembled



Consult Your AEI Representative or the AEI Factory for exact SITEMAX dimensions for your project.

### SITEMAX Specifications

Fixture	Wattage	Initial Lamp Lumens (Lm)	CRI	CCT	Rated Life (Hours)
SITEMAX	(2L)=110W (3L)=170W (4L)=220W (6L)=335W	(2L)=10,000Lm (3L)=15,000Lm (4L)=20,000Lm (6L)=30,000Lm	RE80-80+ CRI	5K Standard; Also available in 30, 35, 41 & 65K available; T5HO available in Blue for emergency station ID	20-35,000 Hours depending on model and burning hours

Input Power (W)	Input Voltage (V)	Input Frequency (Hz)	Power Factor (PF)	Operating Temp (F)	THD%
(2L)=110W (3L)=170W (4L)=220W (6L)=335W	120-277 347 480	TBD	TBD	TBD On Testing	<10

AEI LIGHTING INC.

SITEMAX T5 SITE & STREET LIGHTING FIXTURE