

SHOEBOX MAX SBM

200-WATT INDUCTION FIXTURE



SHOEBOX MAX SBM

Features & Specifications

FEATURES:

- Wattage: 40w, 80w, 120w, 200w, 300w & 400w
- Lamp Life Rating: 100,000 hours
- CCT: 5000K (3500K, 4100K Available)
- CRI: 90
- Vibration & Shock Resistance: Excellent

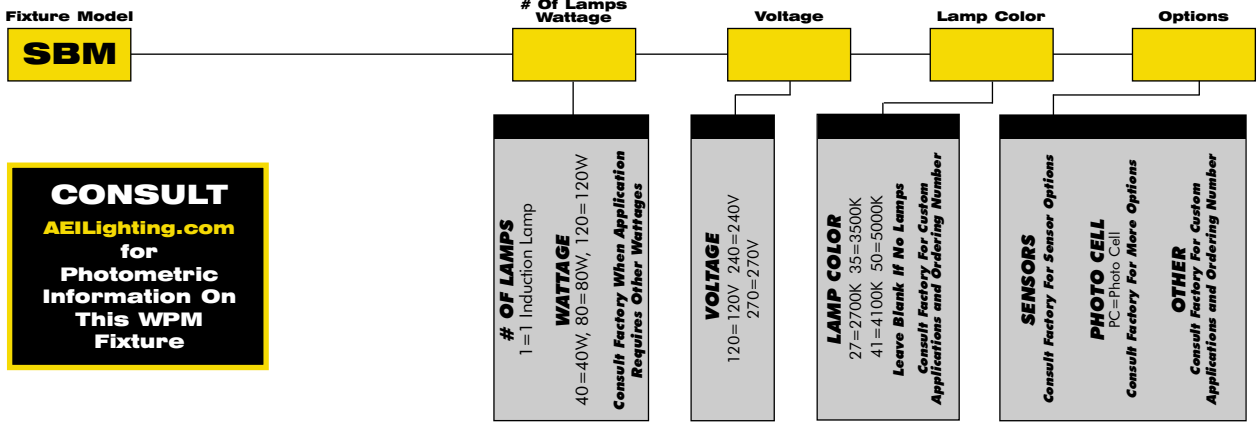
PHYSICAL SPECIFICATIONS:

- UL Listed
- Vandal Resistant
- Die Cast Housing & Hinged Top Frame
- Textured Bronze Finish
- Tempered Glass Lens
- Aluminum Wide Angle Reflectors
- Conduit Access On Four Sides
- Photocell Adaptable
- Other Colors Available, Please Consult Factory

SHOEBOX MAX SBM INDUCTION APPLICATIONS

Warehouses, factories/manufacturing floors, commercial and industrial building exteriors, retail exteriors, school & university building exteriors, showrooms, parking areas, gymnasiums, workshops and distribution centers

ORDERING GUIDE



Project Name _____ Fixture Type _____
 Catalog # _____ Quantity _____



AEI LIGHTING . . . BRINGING YOU OUT OF THE DARK AGES!



AEI LIGHTING INC. SHOEBOX MAX SBM INDUCTION FIXTURE

SHOEBOX MAX SBM

200-WATT INDUCTION FIXTURE



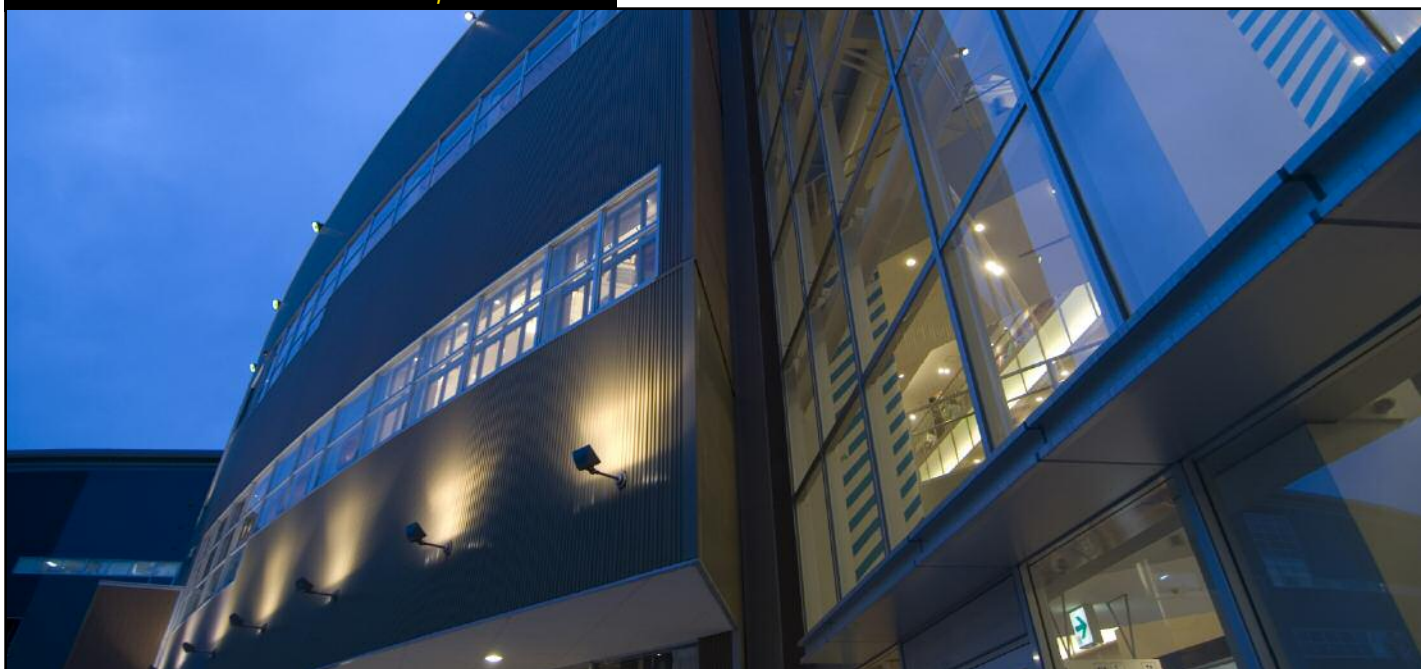
Dimensions

Consult
AEI
Factory

Photometric Data

Consult
AEI
Factory

SHOEBOX MAX SBM Sample Install



AEIINDUCTION

BRINGING YOU OUT OF THE DARK AGES

