

COBRAHEAD MAX

CHM-OSI 70-, 100- and 150-WATT INDUCTION AREA/STREET FIXTURE



CHM-OSI Specifications

CHM-OSI 70-100-150 SPECIFICATIONS:

- Wattage: 70w, 100w or 150w
- Fixture Model Type: CHM100, CHM120, CHM150 and CHM200
- Lamp Life Rating: Long 100,000 hour life
- Instant on - Instant restrike
- Input Voltage: 120, 240 or 277
- High output electronic system
- Operating Temperature: -40 F to 194 Fahrenheit
Amalgam technology for wide operating temp range
- Lamp Color: 3500K, 4100K and 5000K
- CRI: 80
- Universal voltage ballast
- UL Listed

CHM-OSI Applications

CHM-OSI 70-100-150 APPLICATIONS:

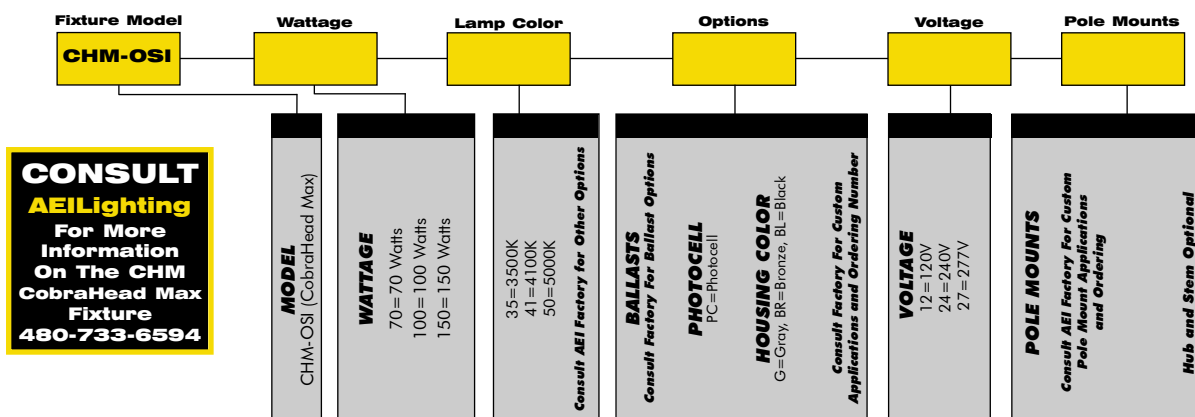
- Roadways: Municipal Roadways, Office Park Roadways, Bridgeways, Expressways, Off-Street Areas
- Commercial: Surface Parking Lots, Commercial Exteriors, Retail Frontage, Plaza Lighting
- Residential: Master-Planned Community Roadways, Urban Residential Lots, Rural Homes, Park and Area Lighting

CHM-OSI Features

CHM-OSI 70-100-150 FEATURES:

- High-impact glass lens is of high transmittance and density
- Aluminum alloy die-cast housing is smooth and elegant in shape, light and sturdy in configuration
- Reflector is high-purity aluminum case and high in reflectivity after electro-chemical polishing
- Integrated design facilitates ease of use & maintenance

ORDERING GUIDE



AEI LIGHTING INC.
1113 West Birchwood Avenue
Mesa, AZ 85210
TEL 480.733.6594
FAX 480.733.6596
WEB www.aeilighting.com

Project Name _____ Fixture Type _____

Catalog # _____ Quantity _____



AEI INDUCTION BRINGING YOU OUT OF THE DARK AGES



AEI LIGHTING INC. CHM-OSI COBRAHEAD MAX 70-, 100- & 150-WATT INDUCTION LIGHT

COBRAHEAD MAX

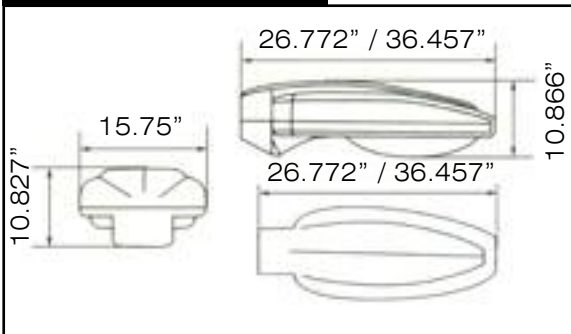
CHM-OSI 70-, 100- & 150-WATT INDUCTION AREA/STREET FIXTURE

Specifications CHM-OSI 70-100-150

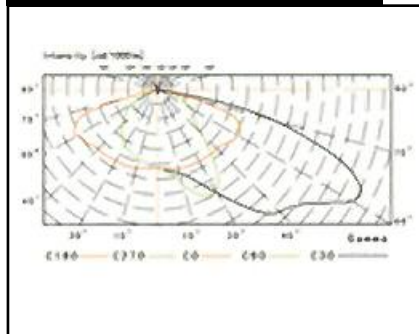
Lamp	Ballast	Life (Hrs)	System Wattage 120/277V	Initial System Lumens (1)
ICETRON 70/2P/ECO	QT1x100ICE/UNV-T	100,000	79/77	6,500
ICETRON 100/2P/ECO	QT1x100ICE/UNV-T	100,000	106/103	8,000
ICETRON 100/2P/ECO	QT1x150ICE/UNV-T	100,000	154/149	11,000
ICETRON 150/2P/ECO	QT1x150ICE/UNV-T	100,000	161/156	12,000

(1) Lumen data for 3500K and 4100K; Lumens for 5000K will be slightly lower.

Dimensions



Photometric Data



Lamps



CHM-OSI 70-100-150

Installation For Roadway, Area and Site Applications



AEIINDUCTION BRINGING YOU OUT OF THE DARK AGES

