



# COBRAHEAD MAX

CHM100-200 100-, 120-, 150- & 200-WATT INDUCTION AREA/STREET FIXTURE



Available in 35.457" or 26.772" length heads and in 100-, 120-, 150- and 200-watt models

## CHM

## Specifications

### CHM100-120-150-200 SPECIFICATIONS:

- Wattage: 100w, 120w, 150w or 200w
- Fixture Model Type: CHM100, CHM120, CHM150 and CHM200
- Lamp Life Rating: 100,000 hours
- Ballast Life Rating: 100,000 hours
- Input Voltage: 120, 240 or 277
- Power Factor: .99
- Operating Temperature: -31 to 194 Fahrenheit
- Lamp Color: 5000K (3500K, 4100K Available)
- CRI: 90
- Vibration & Shock Resistance: Excellent
- UL Listed for Damp Locations

## CHM

## Applications

### CHM100-120-150-200 APPLICATIONS:

- Roadways: Municipal Roadways, Office Park Roadways, Bridgeways, Expressways, Off-Street Areas
- Commercial: Surface Parking Lots, Commercial Exteriors, Retail Frontage, Plaza Lighting
- Residential: Master-Planned Community Roadways, Urban Residential Lots, Rural Homes, Park and Area Lighting

## CHM

## Features

### CHM100-120-150-200 FEATURES:

- High-impact glass lens is of high transmittance and density
- Aluminum alloy die-cast housing is smooth and elegant in shape, light and sturdy in configuration
- Reflector is high-purity aluminum case and high in reflectivity after electro-chemical polishing
- Integrated design facilitates ease of use & maintenance

## CHM100-120-150-200 Installation For Roadway, Area and Site Applications



**AEI INDUCTION BRINGING YOU OUT OF THE DARK AGES**



AEI LIGHTING INC. CHM100-120-150-200 COBRAHEAD MAX 100- to 200-WATT INDUCTION LIGHT

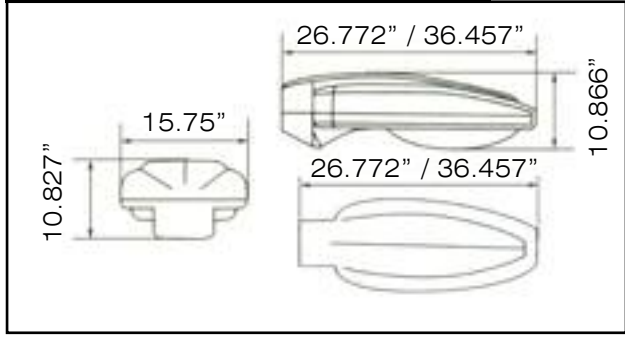


# COBRAHEAD MAX

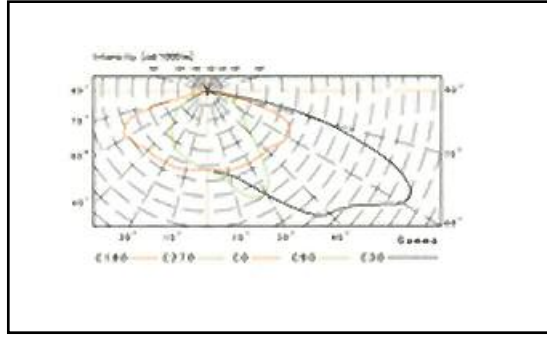
CHM100-200 100-, 120-, 150- & 200-WATT INDUCTION AREA/STREET FIXTURE

AEI LIGHTING INC. CHM100-120-150-200 COBRAHEAD MAX 100- to 200-WATT INDUCTION LIGHT

## Dimensions



## Photometric Data



### CHM100-120-150-200 Installation For Roadway, Area and Site Applications



## ORDERING GUIDE AEIINDUCTION BRINGING YOU OUT OF THE DARK AGES

Fixture Model	Wattage	Lamp Color	Options	Voltage	Pole Mounts
<b>CHM</b>					
<b>CONSULT AEILighting</b> For More Information On The CHM CobraHead Max Fixture 480-733-6594	<b>MODEL</b> CHM (CobraHead Max)	<b>WATTAGE</b> 100= 100 Watts 100= 100 Watts 100= 100 Watts 200= 200 Watts	<b>BALLASTS</b> PC= Photocell <b>HOUSING COLOR</b> G= Gray, BR= Bronze, BL= Black <i>Consult Factory For Custom Applications and Ordering Number</i>	<b>VOLTAGE</b> 12= 120V 24= 240V 27= 277V	<b>POLE MOUNTS</b> <i>Consult AEI Factory For Custom Pole Mount Applications and Ordering</i> Hub and Stem Optional

**AEI LIGHTING INC.**  
1113 West Birchwood Avenue  
Mesa, AZ 85210  
TEL 480.733.6594  
FAX 480.733.6596  
WEB www.aeilighting.com

Project Name \_\_\_\_\_ Fixture Type \_\_\_\_\_  
Catalog # \_\_\_\_\_ Quantity \_\_\_\_\_