

ACORN MAX

40- & 80-WATT INDUCTION STREET LIGHTING FIXTURE



ACORN MAX ACM

FEATURES:

- Wattage: 40w & 80w
- Lamp Life Rating: 100,000 hours
- CCT: 2700K, 3500K, 4100K or 5000K
- CRI: 90
- Vibration & Shock Resistance: Excellent
- Also available in 120V, 208V, 220V, 240V & 277V

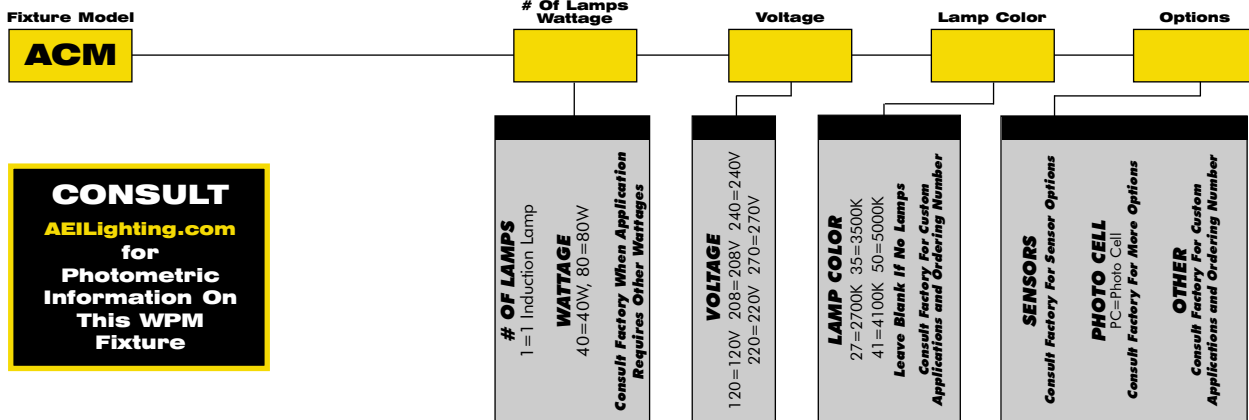
PHYSICAL SPECIFICATIONS:

- UL-listed for wet locations
- White aluminum reflector is designed for maximum photometric efficiency and optimum light distribution
- Hinged design accommodates 9-inch globes
- High-impact polycarbonate lens
- Precision die-cast aluminum housing with smooth black powder coated finish and stamped steel plate
- Accommodates three-inch poles
- Consult AEI factory for other accessory options

ACORN MAX INDUCTION APPLICATIONS

Roadways: Municipal Roadways, Office Park Roadways, Bridgeways, Expressways, Off-Street Areas **Commercial:** Surface Parking Lots, Commercial Exteriors, Retail Frontage, Plaza Lighting **Residential:** Master-Planned Community Roadways, Urban Residential Lots, Parks and Recreational Area Lighting

ORDERING GUIDE



CONSULT
AELighting.com
 for
 Photometric
 Information On
 This WPM
 Fixture

Project Name _____ Fixture Type _____
 Catalog # _____ Quantity _____



AEI LIGHTING . . . BRINGING YOU OUT OF THE DARK AGES!

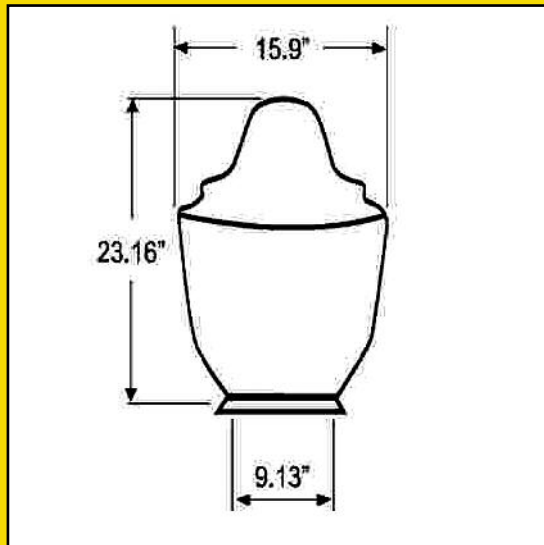


ACORN MAX

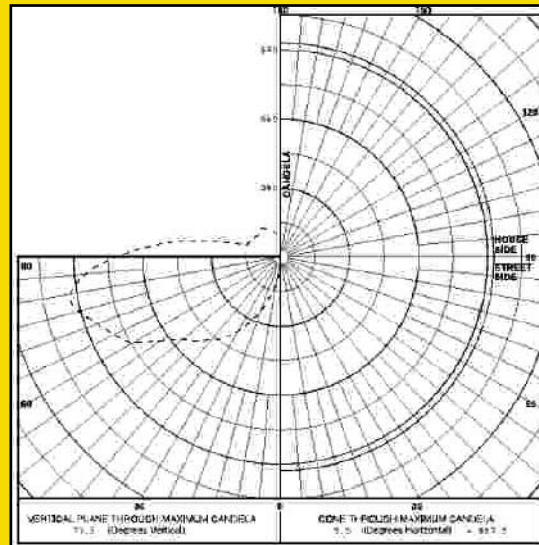
40- & 80-WATT INDUCTION STREET LIGHTING FIXTURE



Dimensions



Photometric Data



Specifications

Lamp	Wattage	Lumens (Lm)	CRI	CCT	Rated Life (Hours)
ACM	40 or 80	Ask AEI	90	5,000	100,000

Input Power (W)	Input Voltage (V)	Input Current (A)	Input Frequency (Hz)	Power Factor (PF)	Operating Temp (F)	THD%
40 or 80	210-277	Ask AEI	Ask AEI	Ask AEI	-5 - 120	<10

AEI LIGHTING INC.

ACORN MAX ACM

40- & 80-WATT INDUCTION STREET LIGHT FIXTURE



AEI LIGHTING . . . BRINGING YOU OUT OF THE DARK AGES!

