



Skylume Natural Lighting Conditioning Systems

ASL-4X4 4X8

Natural Lighting
4x4 & 4x8 Skylight



FEATURES & BENEFITS

- **Eliminates Energy Use** - Can eliminate up to 90% of electrical lighting needs during daylight hours, saving significant money on electrical energy cost
- **No Loss Of Color** - Best visible light transmission of 89% without loss of color. 100 CRI full spectrum
- **Great Insulation** - Unbeatable radiation barrier can produce up to R-48 insulation value
- **Leak-Proof Installations** - Easy drop-down system to ensure simple, leak-proof installations
- **Uplighting Available** - Side extraction available to produce up-light for the space
- **Uniform Light Distribution** Minimal roof penetration needed for uniform light distribution. Skylight to floor ratio is approximately 2%



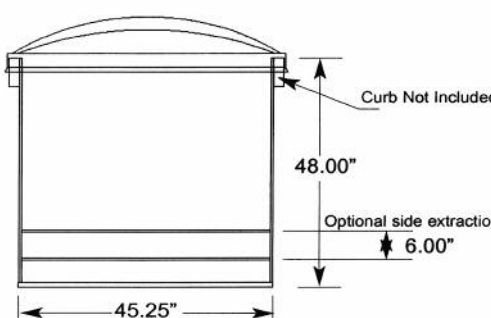
100% Energy Free
60% of Annual Daylight Hours
Lights are off

Featuring "Daylighting"



- SAVE MONEY**
Skylume Shines In 'Lights Off' Hours
- SAVE BUDGETS**
Can Eliminate Multiple Fixtures On Grid
- 100% ENERGY FREE**
Great Design Means You Save Energy Daily
- MAINTENANCE FREE**
Hassle-Free, No Worries

DIMENSIONS



INSTALLATION DIAGRAM

Note: Cross-section shown is standard, 4'x4' suspended frame. Size of opening may vary with different installations. Standard length of the skylight is 48". Custom lengths may be specified when needed. Consult AEI factory for more details.

SPECIFICATIONS

SPECIFICATIONS: - Panel is .50" foam board with white plastic laminate on outside of panel and .020 95% specular material on the inside of panel.

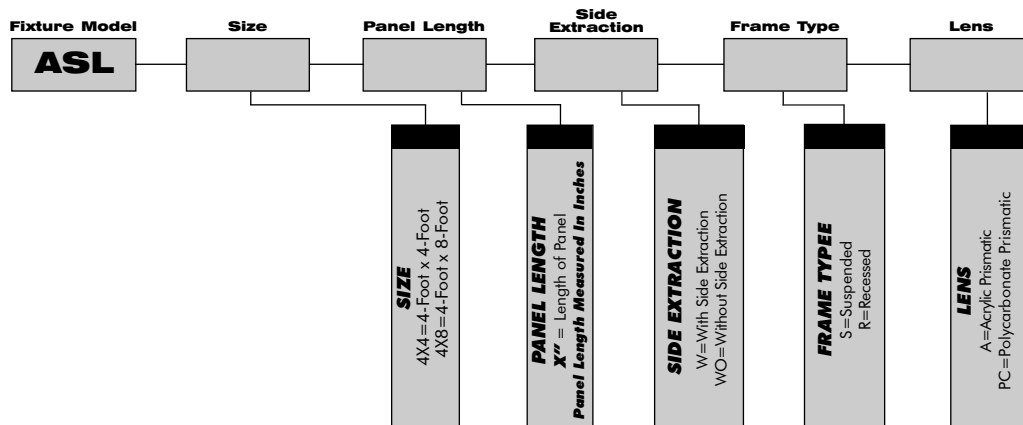
BOTTOM LENS: Lens is .1875 acrylic or polycarbonate prismatic.

TOP DOME: Dome is high-impact clear acrylic double dome with extruded aluminum frame.

ORDERING GUIDE



BRINGING YOU OUT OF THE DARK AGES!



CONSULT
AEILighting.com
for
Photometric
Information
On This
Fixture

AEI LIGHTING INC.
1113 West Birchwood Avenue
Mesa, AZ 85210
TEL 480.733.6594
FAX 480.733.6596
WEB www.aeilighting.com

Project Name _____ Fixture Type _____
Catalog # _____ Quantity _____

ADVANCED ENERGY IDEAS, INC.

SKYLUME ASL-4X4 4X8